

Range of Products

Inductive Heating and Hardening Systems

- Standard machines vertical
- Standard machines horizontal
- Standard machines rotary table
- Special systems linear
- Special systems rotary table
- Special systems for customer-specific applications

IGBT Converters with digital Inverter Control Unit

IGBT (transistor) converters with capacity sizes of 20 kW up to several 1,000 kW, with working frequencies of 5 Hz to 360 kHz

- Heating
- Melting
- Forging/forming
- Hardening/tempering
- Exchange of waste equipment/third-party devices

AFTER SALES SERVICE

- Competitive and competent service centre, guaranteeing a long-term, world-wide system service
- Effective conception with regard to spare parts and personnel training
- Optimised service and maintenance structure

Certified according to DIN EN ISO 9001:2000 and VDA 6.4



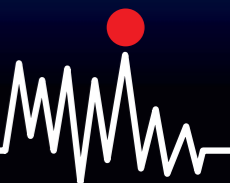
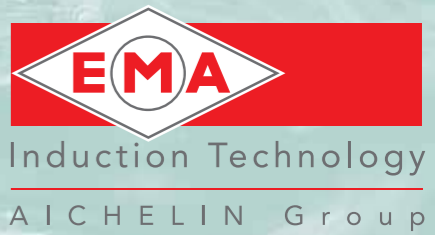
EMA Indutec GmbH
Petersbergstraße 9
D-74909 Meckesheim
Phone: +49 (0) 62 26 788-0
Fax: +49 (0) 62 26 788-100
info@ema-indutec.de
www.ema-indutec.com
www.aichelin.com

RELIABILITY AT WORK

RELIABILITY AT WORK

EMA *line* LIBRA

... the small world
of big rings



Hardening of bearing races and gears for industrial gear units, wind energy plants, earth-moving machines and lifting technology.

Procedure

- Spin-progressive hardening
- Progressive hardening without rotation
- Tooth spaces
- Tooth flanks
- Total surface

Field of Application

- Hardening of bearing races, gears and large-diameter ring bearings in **XXL-size**
- Surface hardening of the internal and external teathed gears

Owing to the modular construction, a customised adaptation to the customer's requirements is guaranteed with regard to, for example, flow rate, weight of the work piece, and degree of automation.

This results in an ideal technical and the most economical solution to the user with regard to the inductive hardening of work pieces of consistently high and reproducible quality.

The benefit to you

- CNC-control device type Siemens 840D sl
- User-friendly, comprehensible operation
- Visualisation and documentation of all process-relevant parameters via a multi-colour operation panel

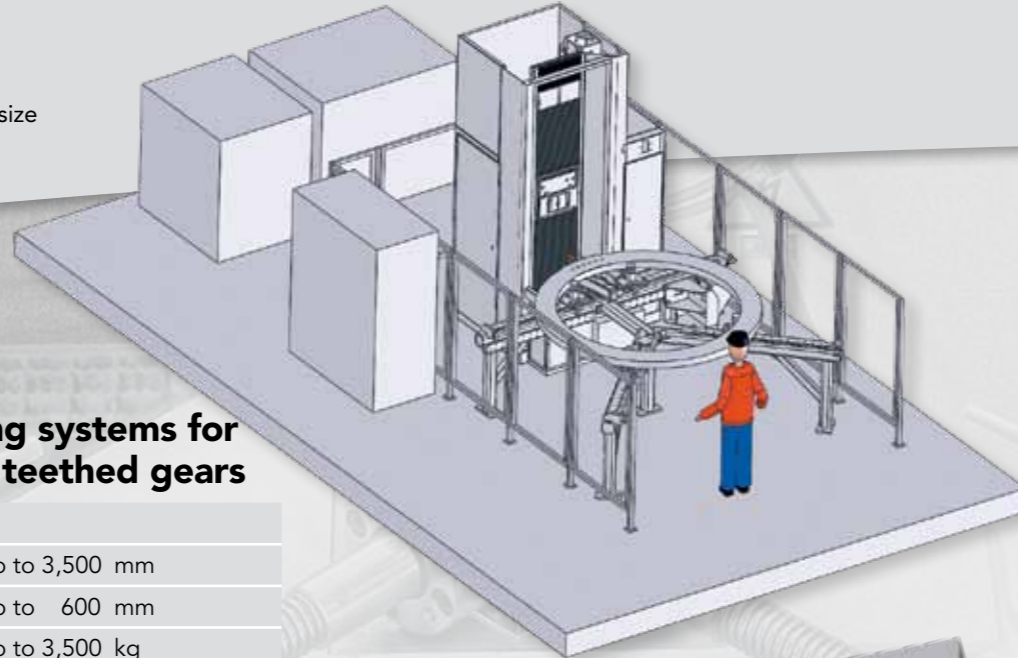
Machine connection to Internet, Ethernet or modem and automation interfaces is possible.

The examples below show a selection of a large number of possible plant concepts.

Single tooth hardening systems for internal and external teathed gears

Basic technical data*

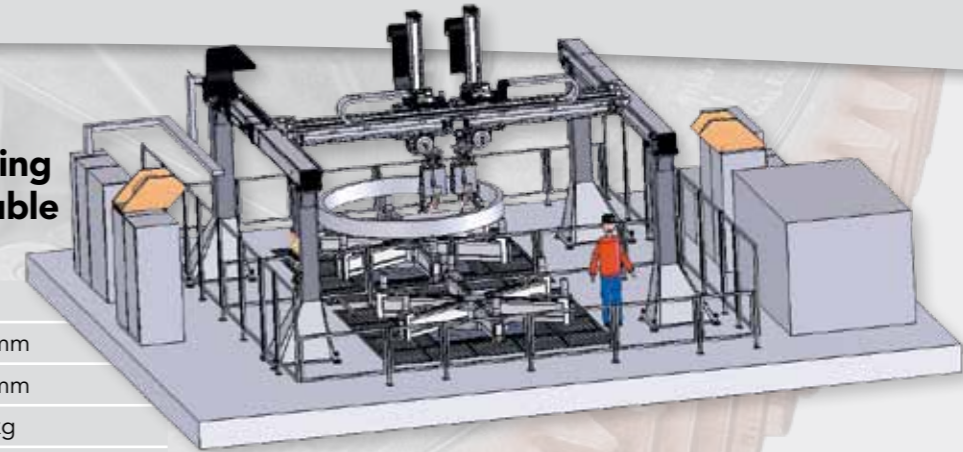
Work piece diameter:	up to 3,500 mm
Work piece height:	up to 600 mm
Work piece weight:	up to 3,500 kg
Converter capacity:	from 60 to 200 kW
Frequency:	4-20 kHz



Hardening systems for bearing races and gears with double horizontal work bench

Basic technical data*

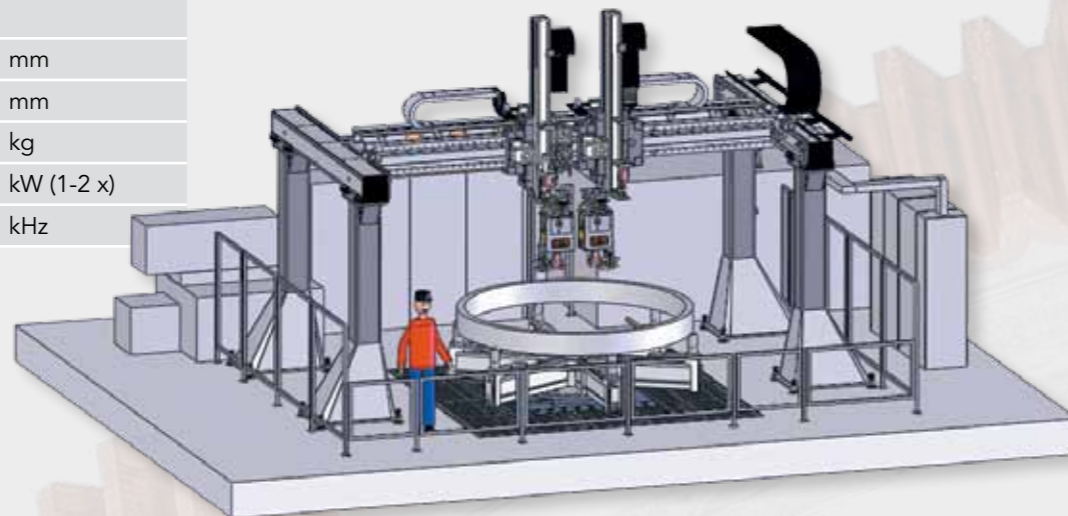
Work piece diameter:	up to 5,000 mm
Work piece height:	up to 600 mm
Work piece weight:	up to 15,500 kg
Converter capacity:	from 60 to 200 kW (1-2 x)
Frequency:	4-20 kHz



Hardening systems for bearing races and gears with horizontal work bench

Basic technical data*

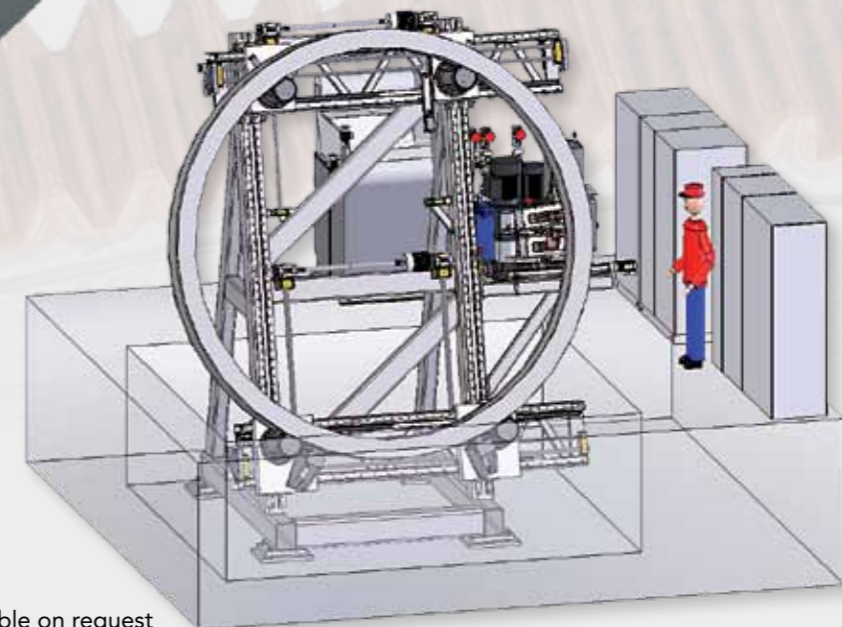
Work piece diameter:	up to 5,000 mm
Work piece height:	up to 600 mm
Work piece weight:	up to 15,500 kg
Converter capacity:	from 60 to 200 kW (1-2 x)
Frequency:	4-20 kHz



Hardening systems for bearing races with inclined work bench

Basic technical data*

Work piece diameter:	up to 8,000 mm
Work piece height:	up to 600 mm
Work piece weight:	up to 15,500 kg
Converter capacity:	from 60 to 200 kW (1-2 x)
Frequency:	4-20 kHz



*Further dimensions available on request